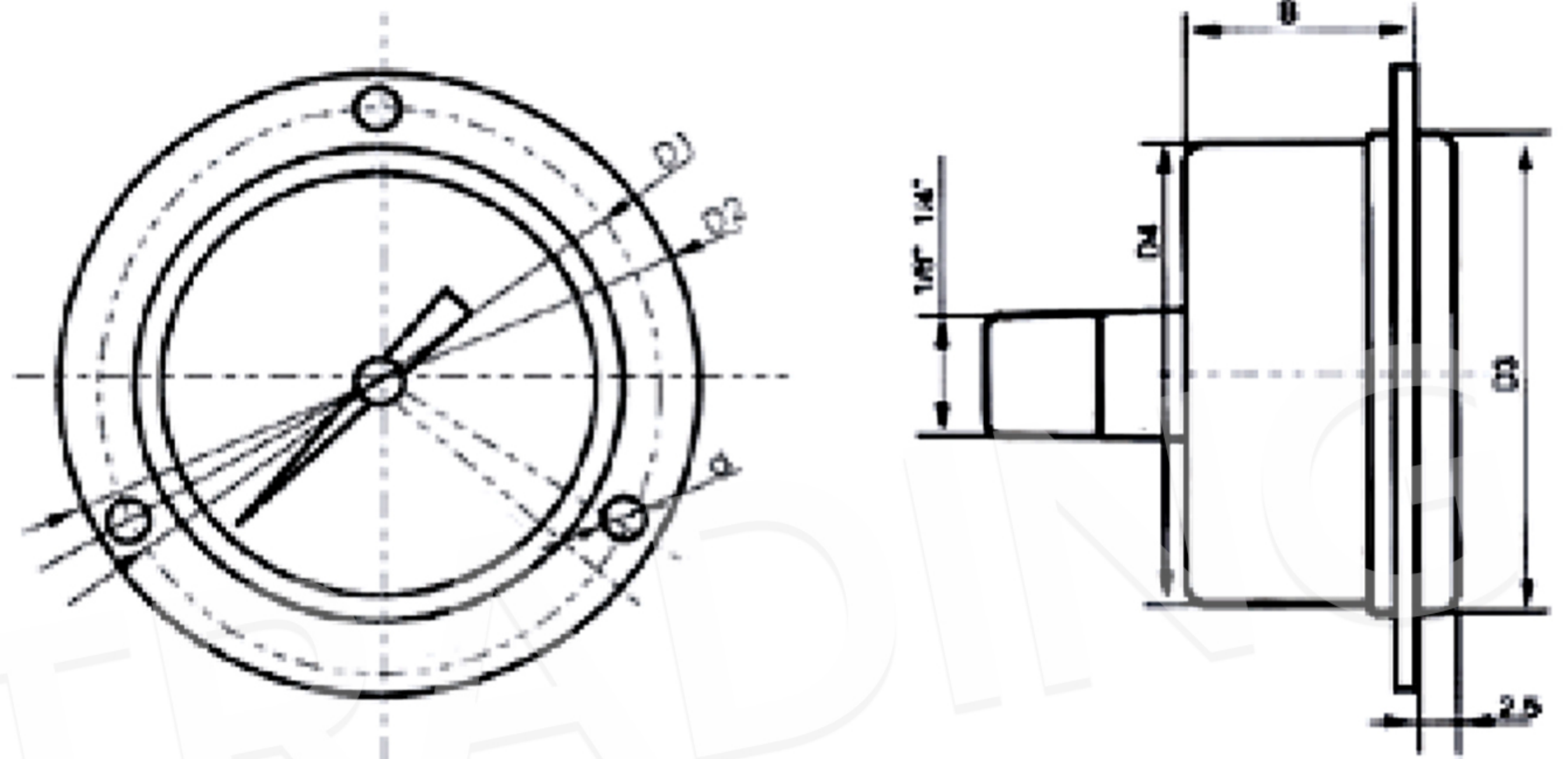
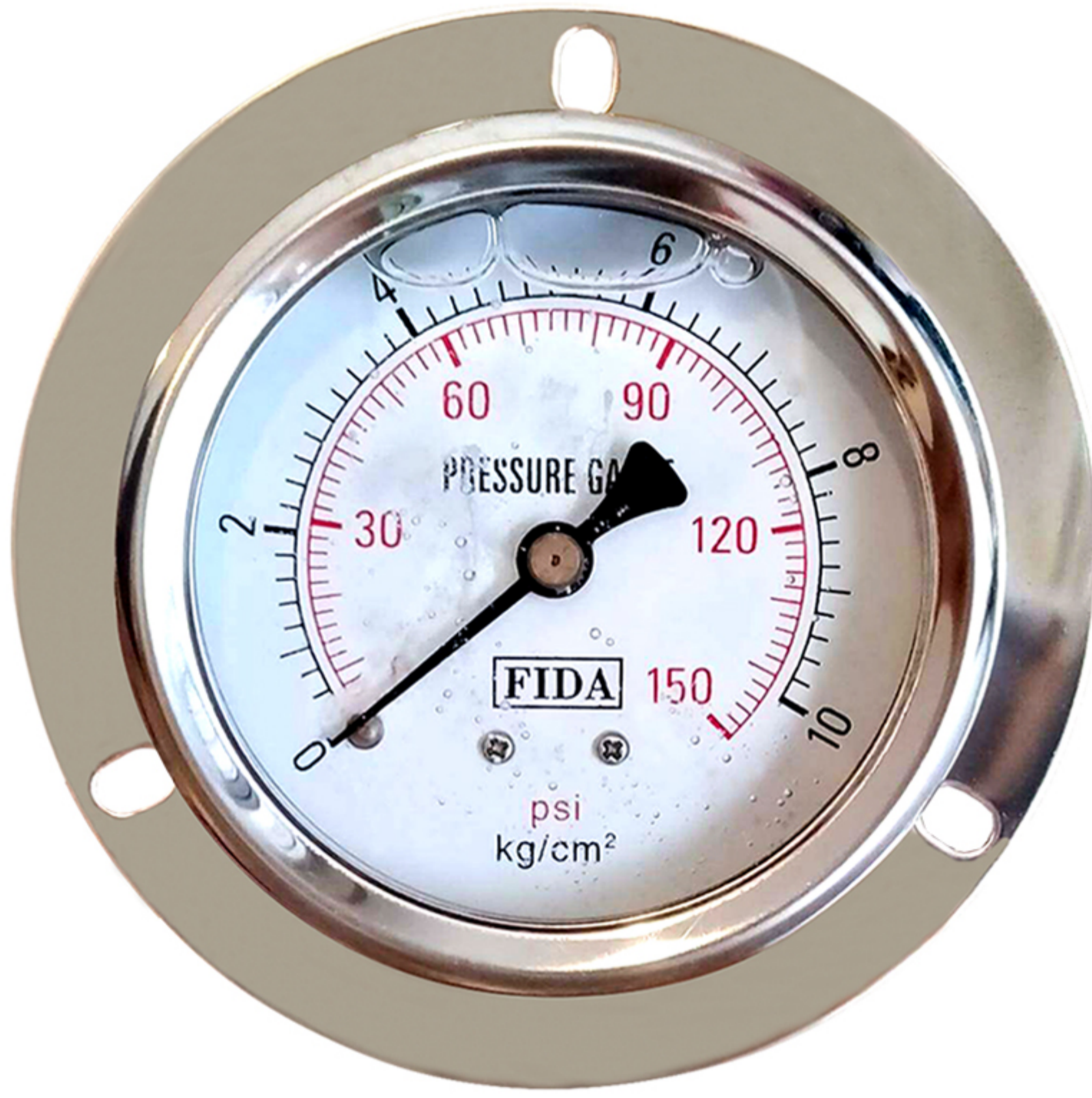


MODEL: PG72

Featyres:

- Axial Type / Oil
- Working pressure: Min. 25% of the full scale value
Max. 75% of the full scale value
- Ambient temperature: -25 ~ +65 °C



Material:

No.	Part	Material
1	Case	SUS304
2	Bezel	SUS304
3	Window	Glass
4	Corrugated Pipe	Phosphor Bonze
5	Machine Core	Brass
6	Oil	Glycerine



Range:

kg/cm ²	4	7	10	16	20	25	30	50	100	150	200	250	300	350	400	450	500
--------------------	---	---	----	----	----	----	----	----	-----	-----	-----	-----	-----	-----	-----	-----	-----

Unit : mm

Model	SIZE	D1	D2	D3	D4	d	B	NPT
PG72-2 1/2"	2 1/2"	76	87	68	62	4	25	1/4"
PG72-4"	4"	116	132	108	98	5	25	3/8" 1/2"

As we are constantly endeavouring to improve the performance of our equipment.

The company reserves the right to make alteration from time to time and equipment differ from that detailed in this brochure.